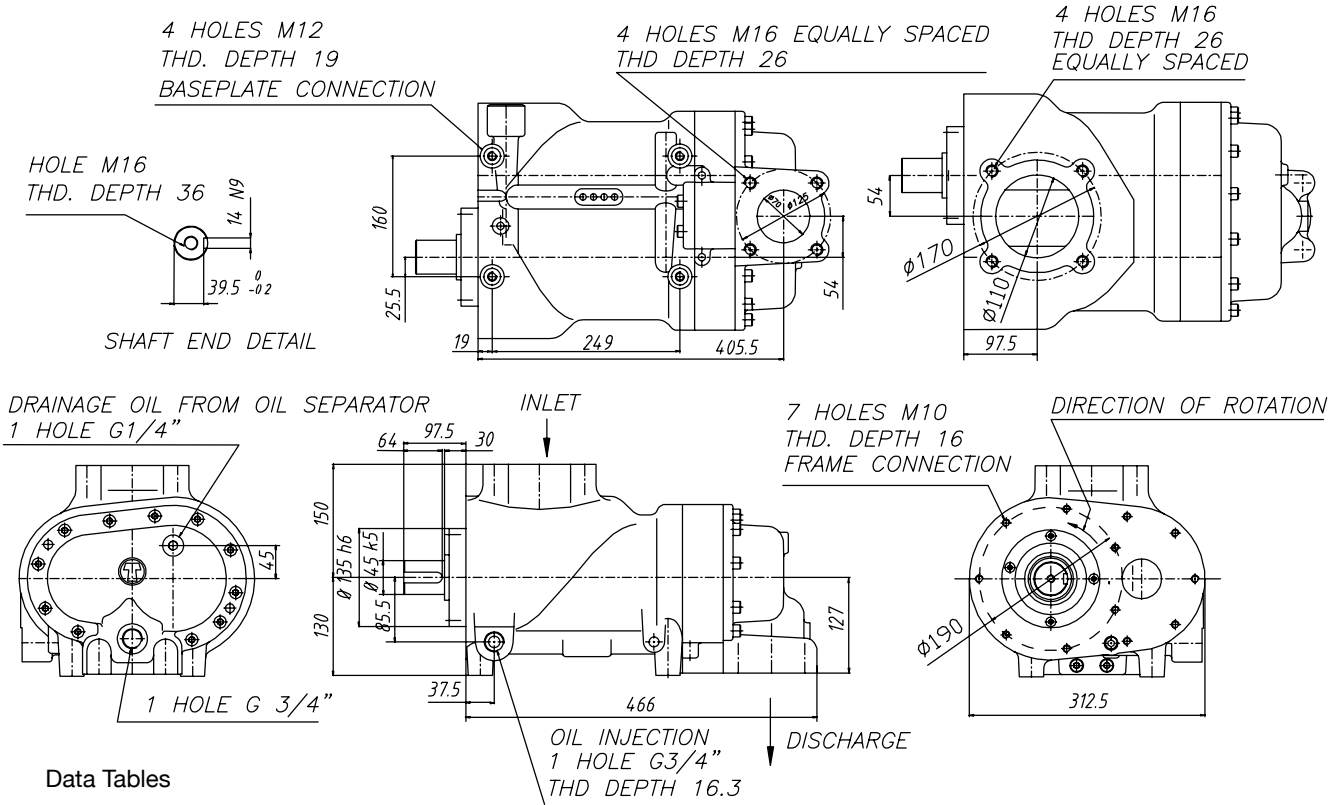




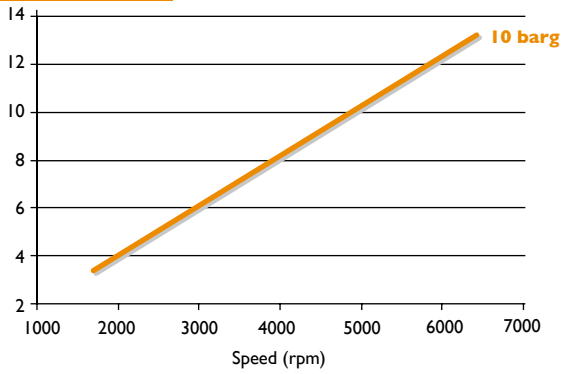
SCA14D-R

Outside view drawing

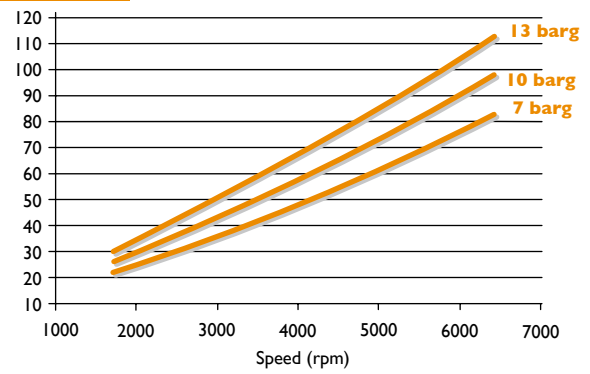


Data Tables

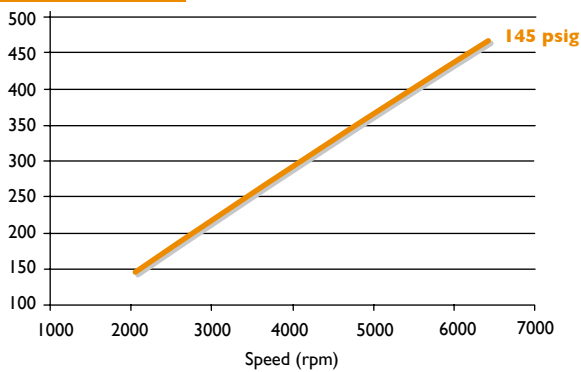
Air Capacity (mc/min)



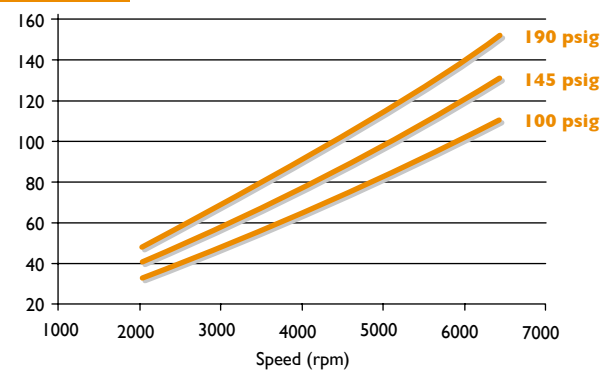
Power (kW)



Air Capacity (cfm)



Power (HP)



Drive: Male

Lobe combination: 5/6

Male rotor size: 147,3 mm

Female rotor size: 122,6 mm

L/D: 1,70

Working pressure: min 3 barg/40 psig - max 15 barg/220 psig

Weight: 108 kg - 238 lbs